

# SP-275K-H1

## SP Series String Solar Inverter



### More power generation

Max. efficiency 99.02%, Euro efficiency 98.80%  
 12MPPTs for tracking maximum PV power  
 Supports bifacial PV modules with max. PV current 20A



### Low system cost

Up to 24 PV strings  
 Support aluminum cable access, saving cable costs  
 Support PLC communication, save communication cable



### High reliability

Cooling fan with IP68 protection level  
 Integrated string monitoring function  
 Standard connection terminal for quick installation

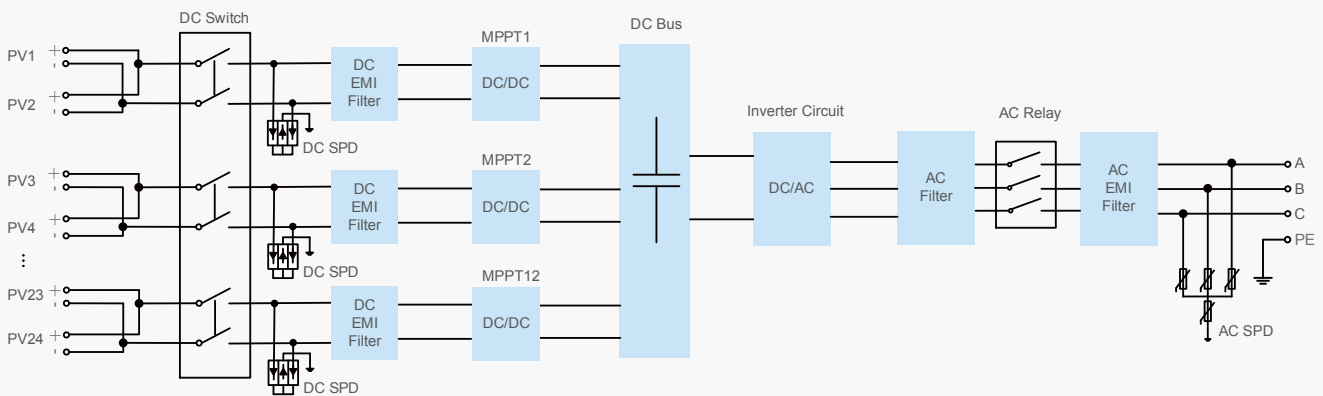


### Grid friendly

Active power derating and reactive power adjustable  
 Low harmonics and fast response for grid regulation



## Circuit



### Input (DC)

Max. PV input voltage	1500V
MPPT Max. input current	40A*12
Rated input voltage	1080V
MPP voltage range	500~1500V
MPP voltage range for nominal power	880~1300V
Number of MPPT trackers	12
Max. number of PV strings per MPPT	2

### Output (AC)

Rated output power	275kW@30 C , 250kW@45 C , 225kW@50 C
Max. output power	275kW
Rated grid voltage	800V
Grid voltage range	680~880V
Max. output current	198.5A
Rated grid frequency / range	50Hz/45~55Hz, 60Hz/55~65Hz
Output current harmonic(at nominal power)	<3%
Power factor at nominal power / range	>0.99/0.8leading to 0.8lagging

### Protection

DC reverse connection protection	Yes
Overvoltage protection	DC Type II/AC Type II
Leakage current protection	Yes
Grid monitoring	Yes
Insulation monitoring	Yes
Anti-island protection	Yes

### Efficiency

Max. efficiency	99.02%
EU efficiency	98.80%

### General Data

Isolation method	Transformerless
Self-consuming in night	<3.5W
Protection level	IP66
Noise	<60dB
Temperature	- 3 0 C ~+ 60 C
Allowed humidity(non condensing)	0-100%
Cooling mode	Temperature controlled forced air cooling
Max.operating altitude	5000m (>4000m derating )
Communication port	Standard:PLC, Optional:RS485
Dimensions (WxHxD)	1180x733x350mm
Weight	130kg